

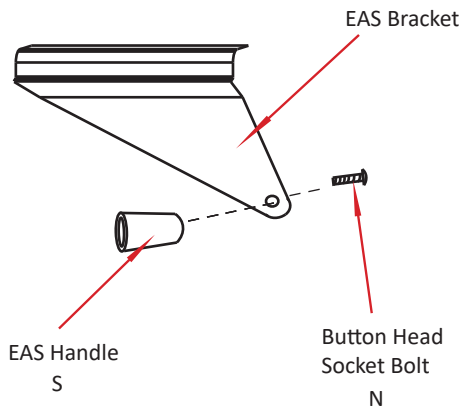
SMARTOP[®]

Vanish XL

by Leisure Concepts

Installation Instructions - Updated as of 03/04/19

Figure 1



Step #1

Position the Smartop (in closed position) on the spa making sure that all four corners are properly positioned and square on the spa.

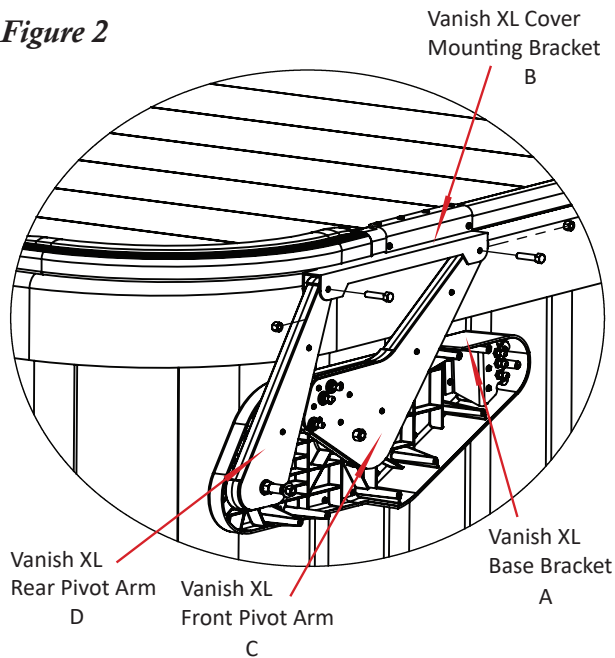
Step #2

Attach the EAS handle to the EAS bracket using the supplied 5/16 x 1-1/4" button head socket bolt (see Fig. 1).

Step #3

Attach the Vanish XL pivot arms to the Smartop using the supplied button head socket bolts and let the assembly hang freely (see Fig. 2). **Note: Make sure to run the bolts from the inside out. The locknuts need to be facing outwards. Also, make sure to use the supplied plastic washers as a spacer in between the metal plate on the pivot arms and the Vanish XL cover mounting bracket.**

Figure 2



Step #4

Swing the Vanish XL bracket assembly forward making sure the top of the Vanish XL base bracket is parallel with the bottom of the spa acrylic (see Fig. 2). Attach the Vanish XL bracket assembly to the spa cabinet using the supplied #10 x 1-1/2" mounting screws.

Step #5

Repeat steps 2 & 3 for the opposite side of the spa.

Step #6

To attach the shocks to the bracket assembly, partially open your Smartop cover and snap the shocks onto the appropriate ball studs (see Fig. 3). **Note: make sure the black body of the shock is pointing towards the middle of the Smartop.**

Step #7

Open the Smartop so it is in the fully upright position. Using the supplied #10 x 1-1/2" mounting screws, finish attaching the Vanish XL bracket assembly to the spa.

Step #8

Attach the Vanish XL cover plate to the bracket assembly using the supplied pancake head self-tapping screws. Next, thread the 3/8 x 3/4" hex cap bolt through the hole in the cover plate that lines up with the rear pivot arm (see Fig. 4). **Note: Do not overtighten hex cap bolt.**

Figure 3

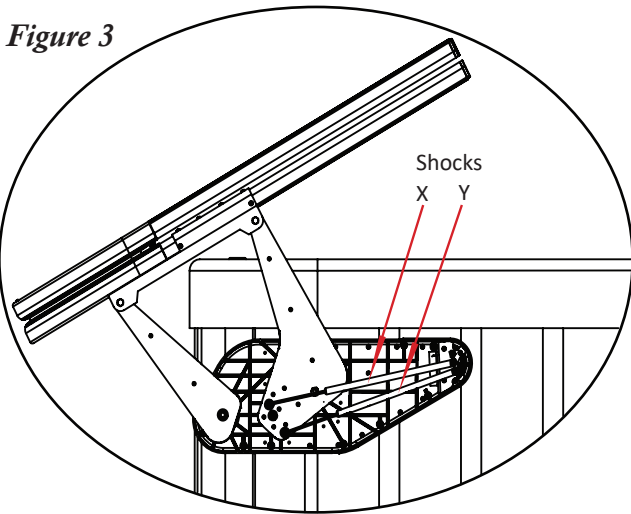
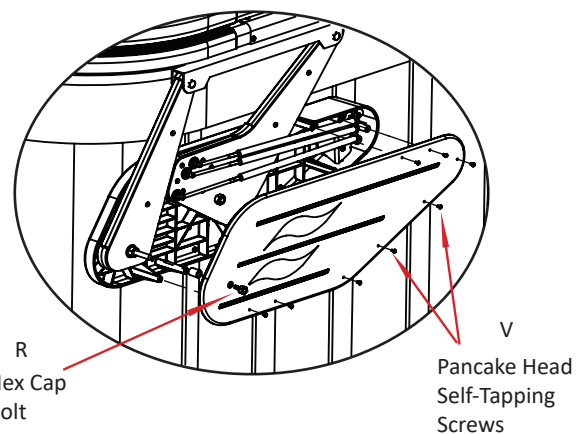
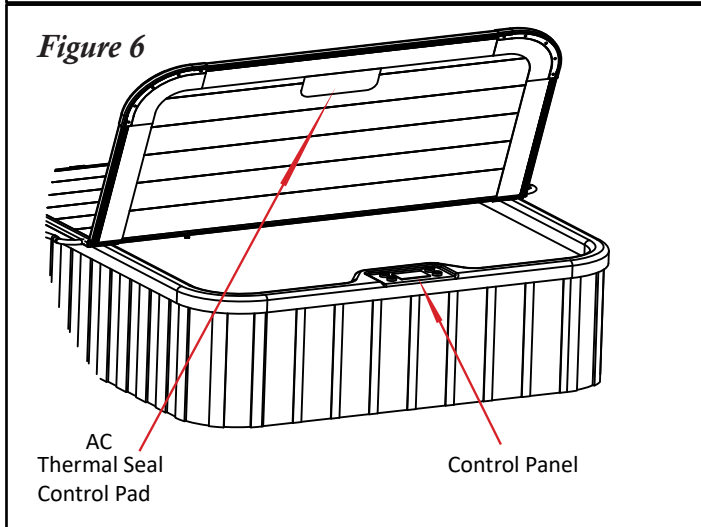
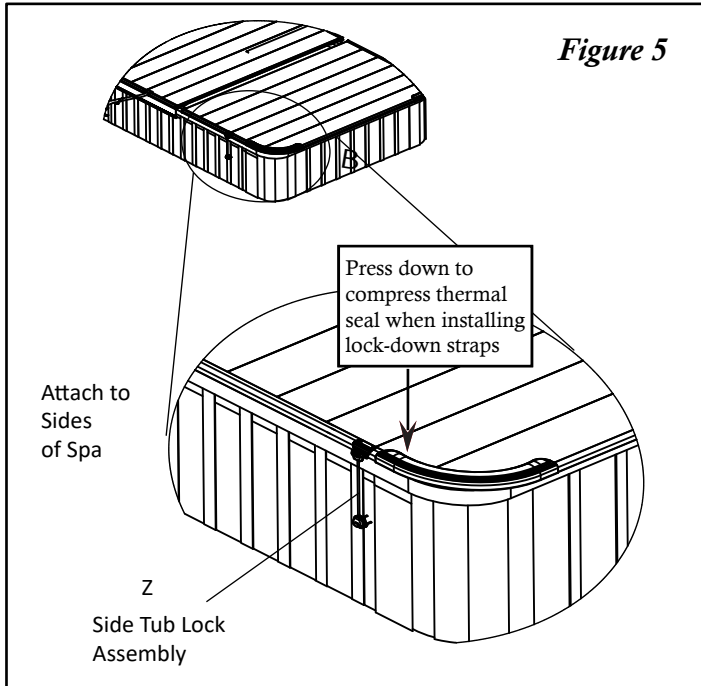


Figure 4



Step #9

Attach the side tub lock cable assembly to the pre-installed tub lock bracket on the side of the aluminum trim on the Smartop and turn the knob to lock it in place. Next, apply downward pressure on the Smartop and mark where the tub lock assembly needs to be attached to the spa cabinet. Unlock and remove the side tub lock cable assembly from the tub lock bracket on the Smartop. Attach the tub lock assembly triangle plate to the spa cabinet using the supplied #8 x 3/4" philips flat head screws (black). **Note: Do not overtighten the screws when attaching to the spa cabinet.** Swing the tub lock assembly cable up and re-attach to the tub lock assembly bracket on the Smartop and lock it in place. **Note: Do not cover the service panel with the side tub lock assembly (see Fig. 5 for a complete look).**



Step #10

If the thermal seal on the underside of the Smartop does not completely seal around the control panel of your spa, an additional thermal seal control pad has been included with the Smartop. Close the Smartop and determine the position of the thermal seal pad. Open the Smartop cover onto itself, dry thoroughly and remove the backing of the thermal seal pad and attach it to the underside of the Smartop in the desired position (see Fig. 6).

Operation of your Smartop Cover

- 1) Fold the first half of the Smartop cover off the spa. While gripping the EAS handle, motion the Smartop cover into it's vertical upright position.

| ITEM | PART# | DESCRIPTION | QTY |
|------|--------|---|-----|
| A(L) | 101733 | ST VANISH XL BASE BRACKET (L) | 1 |
| A(R) | 101734 | ST VANISH XL BASE BRACKET (R) | 1 |
| B(L) | 101735 | ST VANISH XL COVER MOUNTING BRACKET (L) | 1 |
| B(R) | 101736 | ST VANISH XL COVER MOUNTING BRACKET (R) | 1 |
| C | 101737 | VANISH XL PIVOT ARM - FRONT | 1 |
| D | 101738 | VANISH XL PIVOT ARM - REAR | 1 |
| E | 101739 | VANISH XL PIVOT ARM PLATE - FRONT | 1 |
| F | 101740 | VANISH XL PIVOT ARM PLATE - REAR | 1 |
| G(L) | 101741 | BALL STUD MOUNTING PLATE - LEFT | 1 |
| G(R) | 101742 | BALL STUD MOUNTING PLATE - RIGHT | 1 |
| H(L) | 101743 | ST VANISH XL COVER PLATE (L) | 1 |
| H(R) | 101744 | ST VANISH XL COVER PLATE (R) | 1 |
| I | 101745 | VANISH XL COVER PLATE ANCHOR | 2 |
| J | 101746 | LARGE PIVOT ARM SHIM | 4 |
| K | 101747 | SMALL PIVOT ARM SHIM | 4 |
| L | 100244 | 5/16 BALL STUD | 12 |
| M | 100032 | 5/16 NYLON LOCKNUT | 12 |
| N | 101749 | 3/8 X 2" BUTTON HEAD SOCKET BOLT - BLACK ZINC | 4 |
| O | 100012 | 3/8 FLAT WASHER | 4 |
| P | 100011 | 3/8 NYLON LOCKNUT | 4 |
| Q | 101750 | 3/8 PLASTIC SHIM WASHER | 4 |
| R | 101752 | 3/8 X 3/4" HEX BOLT - BLACK ZINC | 2 |
| S | 101596 | EAS HANDLE | 2 |
| T | 101751 | 5/16 X 1-1/4" BUTTON HEAD SOCKET SCREW - BLACK ZINC | 2 |
| U | 100909 | #10 X 1-1/2" PHILIPS PAN HEAD MOUNTING SCREW | 68 |
| V | 101748 | #10 X 1" PHILIPS PANCAKE SELF-TAPPING SCREW - BLACK ZINC | 12 |
| W | 100015 | LARGE BLACK DOME CAP | 6 |
| X | 101510 | SHOCK - 335N | 2 |
| Y | 101390 | SHOCK - 800N | 2 |
| Z | 101056 | SIDE TUB LOCK ASSEMBLY | 2 |
| AA | 101065 | #8 X 3/4" PHILIPS FLAT HEAD SCREW (BLACK ZINC) | 6 |
| AB | 101730 | #8 X 3/4" PHILIPS FLAT HEAD SELF-TAPPING SCREW (BLACK ZINC) | 8 |
| AC | 101079 | THERMAL SEAL CONTROL PAD | 1 |
| AD | 101078 | LOCK | 1 |

CAUTION!

Do not use the Smartop in high wind conditions. Injury from the spa cover being blown over and impacting the spa user can occur.

For additional information on our Smartop product, please visit our website: "www.smartopspacover.com"