

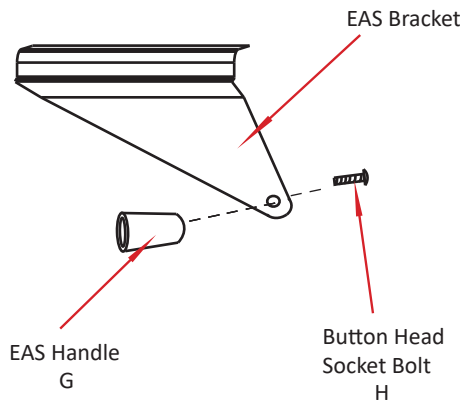
# SMARTOP<sup>®</sup>

## Upright 2.0

## by Leisure Concepts

Installation Instructions - Updated as of 03/04/19

**Figure 1**



**Step #1**

Position the Smartop (in closed position) on the spa making sure that all four corners are properly positioned and square on the spa.

**Step #2**

Attach the EAS handle to the EAS bracket using the supplied 5/16 x 1-1/4" button head socket bolt (see Fig. 1).

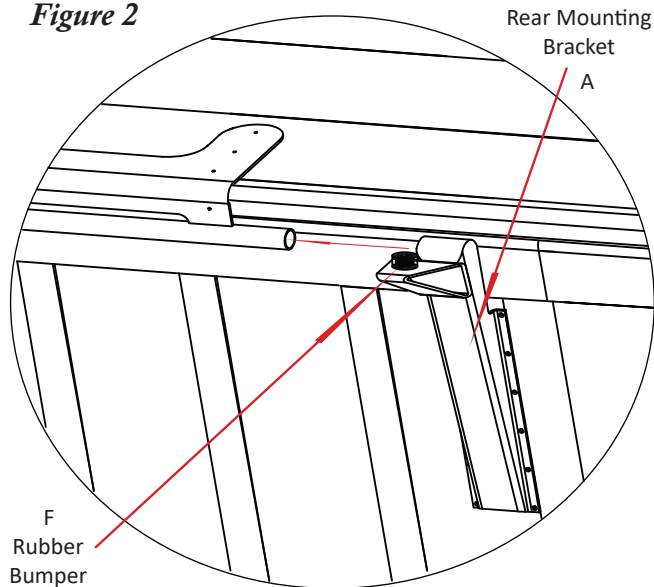
**Step #3**

Slide the rear mounting bracket over the exposed tube attached to the Smartop cover (see Fig. 2). Attach the rear mounting brackets to the rear panel on the spa using the supplied #10 x 1-1/2" mounting screws (see Fig. 3).

**Step #4**

Attach the rubber bumpers to the rear mounting brackets using the supplied #10 x 1" self-tapping screws (see Fig. 2).

**Figure 2**



**Step #5**

Attach the ball stud to the side mounting bracket. Next, attach the side mounting brackets to the side of the spa, directly underneath the acrylic, using the supplied #10 x 1" mounting screws (see Fig. 4). **Note: Make sure the center of the ball stud is 3-1/4" in from the back of the spa.**

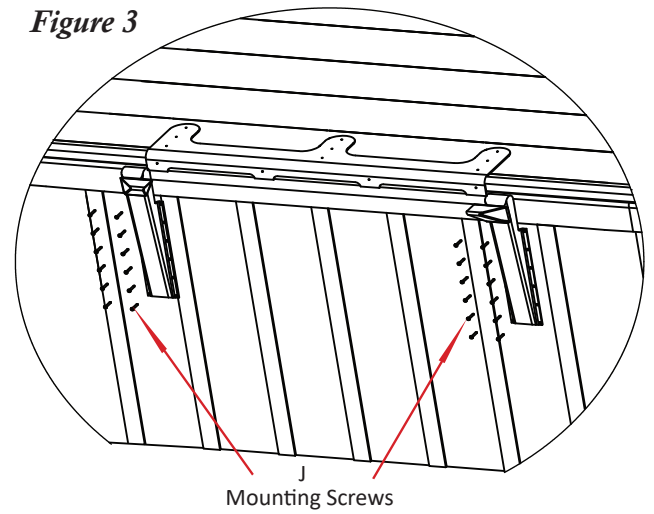
**Step #6**

Gently raise the Smartop into the upright position making sure to keep a firm grip on the cover and attach the shocks to the ball studs (see Fig. 4). **Note: When attaching the shocks, make sure the body of the shock is on top.**

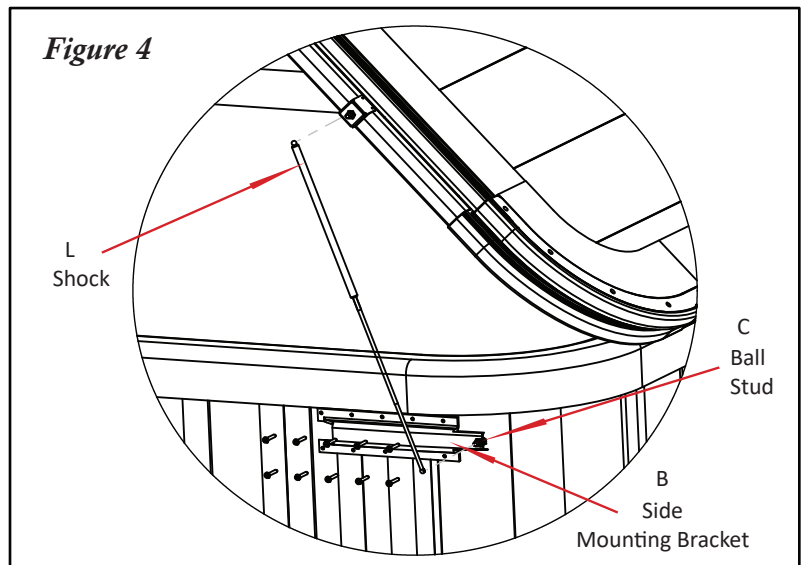
**Step #7**

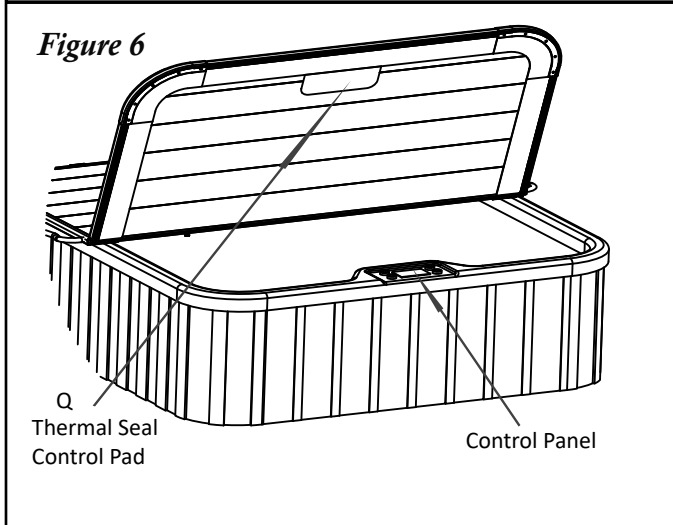
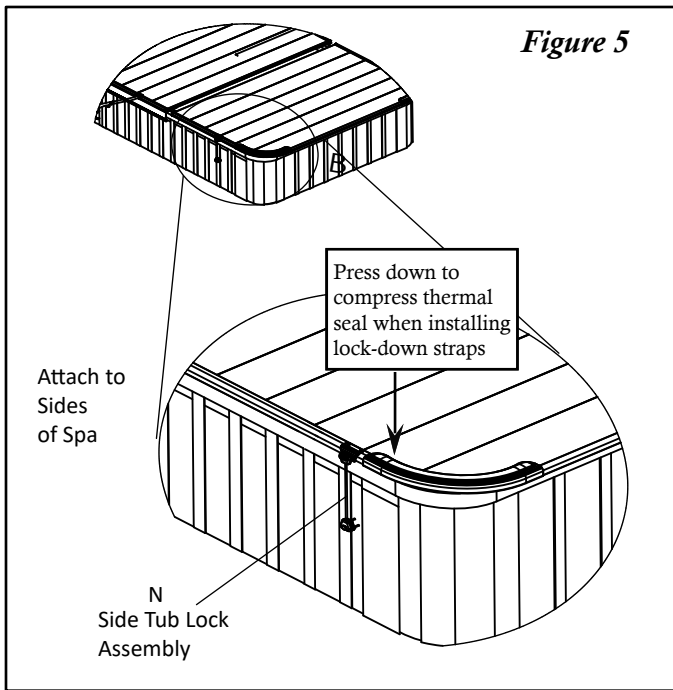
Attach the side tub lock cable assembly to the pre-installed tub lock bracket on the side of the aluminum trim on the Smartop and turn the knob to lock it in place. Next, apply downward pressure on the Smartop and mark where the tub lock assembly needs to be attached to the spa cabinet. Unlock and remove the side tub lock cable assembly from the tub lock bracket on the Smartop. Attach the tub lock assembly triangle plate to the spa cabinet using the supplied #8 x 3/4" philips flat head screws (black). **Note: Do not overtighten the screws when attaching to the spa cabinet.** Swing the tub lock assembly cable up and re-attach to the tub lock assembly bracket on the Smartop and lock it in place. **Note: Do not cover the service panel with the side tub lock assembly (see Fig. 5 for complete look).**

**Figure 3**



**Figure 4**





### Step #8

If the thermal seal on the underside of the Smartop does not completely seal around the control panel of your spa, an additional thermal seal control pad has been included with the Smartop. Close the Smartop and determine the position of the thermal seal pad. Open the Smartop cover onto itself, dry thoroughly and remove the backing of the thermal seal pad and attach it to the underside of the Smartop in the desire position (see Fig. 6).

### Operation of your Smartop Cover

- 1) Fold the first half of the Smartop cover off the spa. While gripping the EAS handle, motion the Smartop cover into it's vertical upright position.

#### CAUTION!

Do not use the Smartop in high wind conditions. Injury from the spa cover being blown over and impacting the spa user can occur.

ITEM	PART#	DESCRIPTION	QTY
A(L)	101725	ST UPRIGHT 2.0 REAR MOUNTING BRACKET (L)	1
A(R)	101726	ST UPRIGHT 2.0 REAR MOUNTING BRACKET (R)	1
B	101727	ST UPRIGHT 2.0 SIDE MOUNTING BRACKET	2
C	100244	5/16 BALL STUD	2
D	100032	5/16 NYLON LOCKNUT	2
E	101729	PLASTIC BUSHING	2
F	101728	RUBBER BUMPER	2
G	101596	EAS HANDLE	2
H	101751	5/16 X 1-1/4" BUTTON HEAD SOCKET SCREW (BLACK ZINC)	2
I	101753	#8 X 3/4" PHILIPS PAN HEAD SELF-TAPPING SCREW	2
J	100909	#10 X 1-1/2" PHILIPS PAN HEAD MOUNTING SCREW	44
K	100016	SMALL BLACK DOME CAPS	44
L	101754	SHOCK - 120 LB	2
M	101748	#10 X 1" PHILIPS PANCAKE SELF-TAPPING SCREW (BLACK ZINC)	2
N	101056	SIDE TUB LOCK ASSEMBLY	2
O	101065	#8 X 3/4" PHILIPS FLAT HEAD SCREW (BLACK ZINC)	6
P	101730	#8 X 3/4" PHILIPS FLAT HEAD SELF-TAPPING SCREW (BLACK ZINC)	8
Q	101079	THERMAL SEAL CONTROL PAD	1
R	101078	LOCK	1

For additional information on our Smartop product, please visit our website: "www.smartopspacover.com"