

Figure 1

Step #1

Position the spa cover (in closed position) on the spa making sure that all four corners are properly positioned and square on the spa.

Step #2

Attach the rear anchors to the rear pivot arms using the supplied 3/8 x 2-3/4" hex cap bolts, 3/8 flat washers and 3/8 locknuts (see Fig. 1). **Note: do not overtighten bolts, the rear anchors should rotate freely on the rear pivot arms.** Next, attach the ball stud to the rear pivot arm (see Fig. 1).

Step #3

Attach the left and right rear pivot arms to the rear cross bar using the supplied 3/8 x 2-3/4" hex cap bolts and 3/8 flat washers (see Fig. 1).

Step #4

Attach the left and right rear mounting brackets to the left and right rear pivot arms using the supplied 3/8 x 2-3/4" hex cap bolts, 3/8 flat washers and 3/8 locknuts (see Fig. 1). **Note: do not overtighten bolts, the rear mounting brackets should rotate freely on the rear pivot arms.**

Step #5

Attach the rear anchors to the back of the Smartop using the supplied #10 x 5/8" self tapping screws, making sure the rear anchors are centered on the aluminum trim in between the black Smartop corners. Once the screws are installed on the top of the rear anchor, you must disconnect the rear pivot arms from the rear anchors and install the #10 x 5/8" self tapping screws in the vertical face of the rear anchor. Next, re-assemble the rear pivot arms to the rear anchors.

Step #6

Attach the rear mounting brackets to the back of the spa using the supplied #10 x 1-1/2" mounting screws (see Fig. 1).

Step #7

Attach the rear brace to the top of the rear mounting brackets using the supplied #10 x 5/8" self tapping screws and to the back of the spa using the supplied #10 x 1-1/2" mounting screws (see Fig. 1).

Step #8

Attach the ballstuds to the bottom hole in the rear mounting brackets making sure the ball stud is pointed towards the outside of the spa. Next, attach the ball studs to the rear pivot arms. Place the 4 hex dome caps over the ball stud locknuts (see Fig. 1).

Step #9

Snap the gas shocks on the ball studs. **Note: be sure to install the gas shocks with the black body on top** (see Fig. 1).

Step #10

Remove the EAS outer plate by removing the 4 flat head screws from the front of the plate. Attach the Smartop handle to the exposed bolt (see Fig. 2).

Step #11

Attach the ball studs and locknuts to the EAS shock mounting brackets. Next, lift the front half of the cover into the vertical position, attach the EAS shocks to the EAS shock mounting brackets and position the opposite ends of the shocks into the EAS that is attached to the side of the cover (see Fig. 3). Re-install the EAS outer plate.

Figure 2

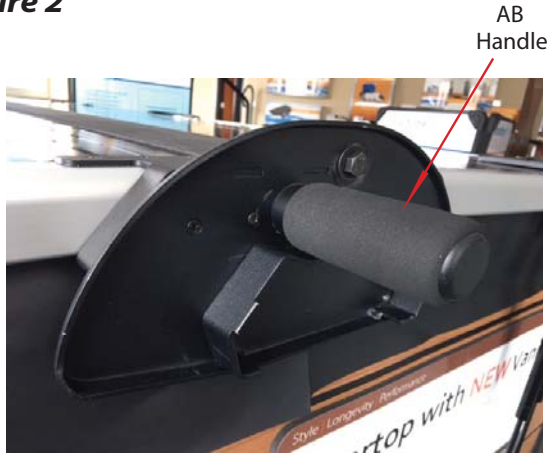


Figure 3

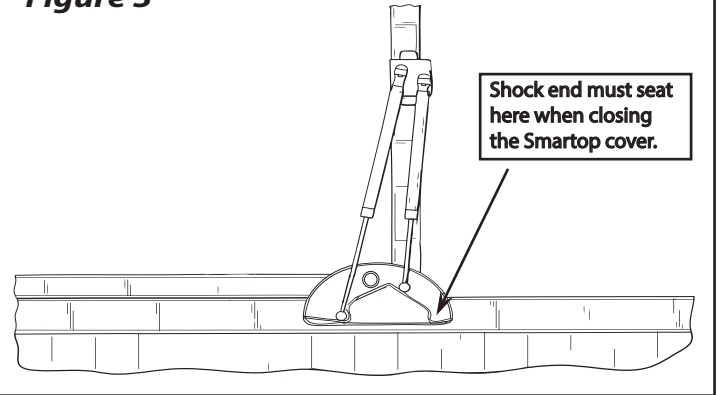
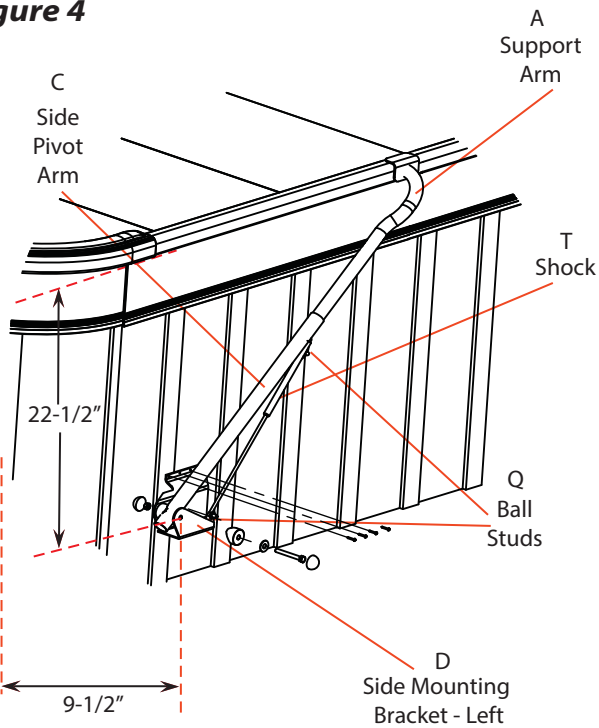


Figure 4



Step #12

Attach the left and right side mounting brackets to the appropriate sides of the spa using the supplied #10 x 1-1/2" mounting screws. Brackets should be mounted so the pivot hole is 9-1/2" from the back of the spa and 22-1/2" from the top of the acrylic (see Fig. 4).

Step #13

Slide the support arms into the hole in the side of the Smartop. Next, slide the pivot arms over the exposed portion of the support arms until the pivot bushings line up with the pivot hole in the side mounting brackets. Using the supplied 3/8 x 2-3/4" hex cap bolt, 3/8 flat washers and 3/8 locknuts, attach the pivot arm to the side mounting brackets. Next, using the supplied #10 x 5/8" self tapping screws, fasten the pivot arms to the support arms (see Fig. 4).

Step #14

Next, install the ball studs to the left and right pivot arms. Place the two hex dome caps over the ball stud locknuts (see Fig. 4). **Note: Be sure that the ball is pointing away from the spa.**

Step #15

Position the Smartop in the open position on the spa. Snap the shock onto the ball stud on the pivot arm. **Note: be sure to install the gas shocks with the black body on top.** Next, swing the other end of the shock down towards the side mounting bracket to determine which hole to install the other ball stud in. Install the ball stud in the correct hole in the side mounting bracket. Snap the end of the shock on the ball stud (see Fig. 4). **Note: Be sure that the ball is pointing towards the spa.**

Step #16

Remove the (2) green "Attention Installer" stickers on the underside of the Smartop. Using the #10 self-tapping screws, fasten the support arms to the internal tube in the center of the cover through the holes on the underside of the the cover. Cover the (3) holes on either side of the Smartop using the supplied black foam oval covers. **Note: attach the black foam oval covers in the same position the green "Attention Installer" stickers were installed on the Smartop originally.**

| ITEM | PART# | DESCRIPTION | QTY |
|------|---------------------------|--|-----|
| A | 101049 | SUPPORT ARM (CANDY CANE) | 2 |
| B | 100002 | FOAM GRIP 8" | 2 |
| C | 101496 | SIDE PIVOT ARM | 2 |
| D(L) | 101518 | SIDE MOUNTING BRACKET - LEFT | 1 |
| D(R) | 101501 | SIDE MOUNTING BRACKET - RIGHT | 1 |
| E(L) | 101502 | REAR PIVOT ARM - LEFT | 1 |
| E(R) | 101503 | REAR PIVOT ARM - RIGHT | 1 |
| F(L) | 101504 | REAR MOUNTING BRACKET - LEFT | 1 |
| F(R) | 101505 | REAR MOUNTING BRACKET - RIGHT | 1 |
| H | 101506 | REAR CROSS BAR | 1 |
| I | 101507 | REAR ANCHOR | 2 |
| J | 101508 | REAR BRACE | 1 |
| K | 100344 | BUSHING | 14 |
| L | 100909 | #10 X 1-1/2" MOUNTING SCREWS | 38 |
| M | 101131 | #10 X 5/8" SELF TAPPING SCREWS (STAINLESS STEEL) | 36 |
| N | 100026 | 3/8 X 2-3/4" HEX CAP BOLT | 8 |
| O | 100012 | 3/8 FLAT WASHER | 10 |
| P | 100011 | 3/8 NYLON LOCKNUT | 6 |
| Q | 100244 | 5/16 BALL STUD | 8 |
| R | 100032 | 5/16 NYLON LOCKNUT | 6 |
| S | 100034 | HEX PLASTIC DOME CAP | 6 |
| T | 101075,101446 - 101448 | SHOCK-SMARTOP VANISH(500N, 600N, 700N OR 800N) | 4 |
| U | 100015 | LARGE BLACK DOME CAP | 14 |
| V | 100016 | SMALL BLACK DOME CAP | 68 |
| W | 101056 | FRONT TUB LOCK ASSEMBLY | 2 |
| X | 101065 | #8 X 3/4" PHILIPS FLAT HEAD SCREW (BLACK ZINC) | 28 |
| Y | 101391 | BLACK FOAM OVAL COVER | 2 |
| Z | 101079 | THERMAL SEAL CONTROL PAD | 1 |
| AA | 101078 | LOCK | 1 |
| AB | 101497 | HANDLE | 2 |